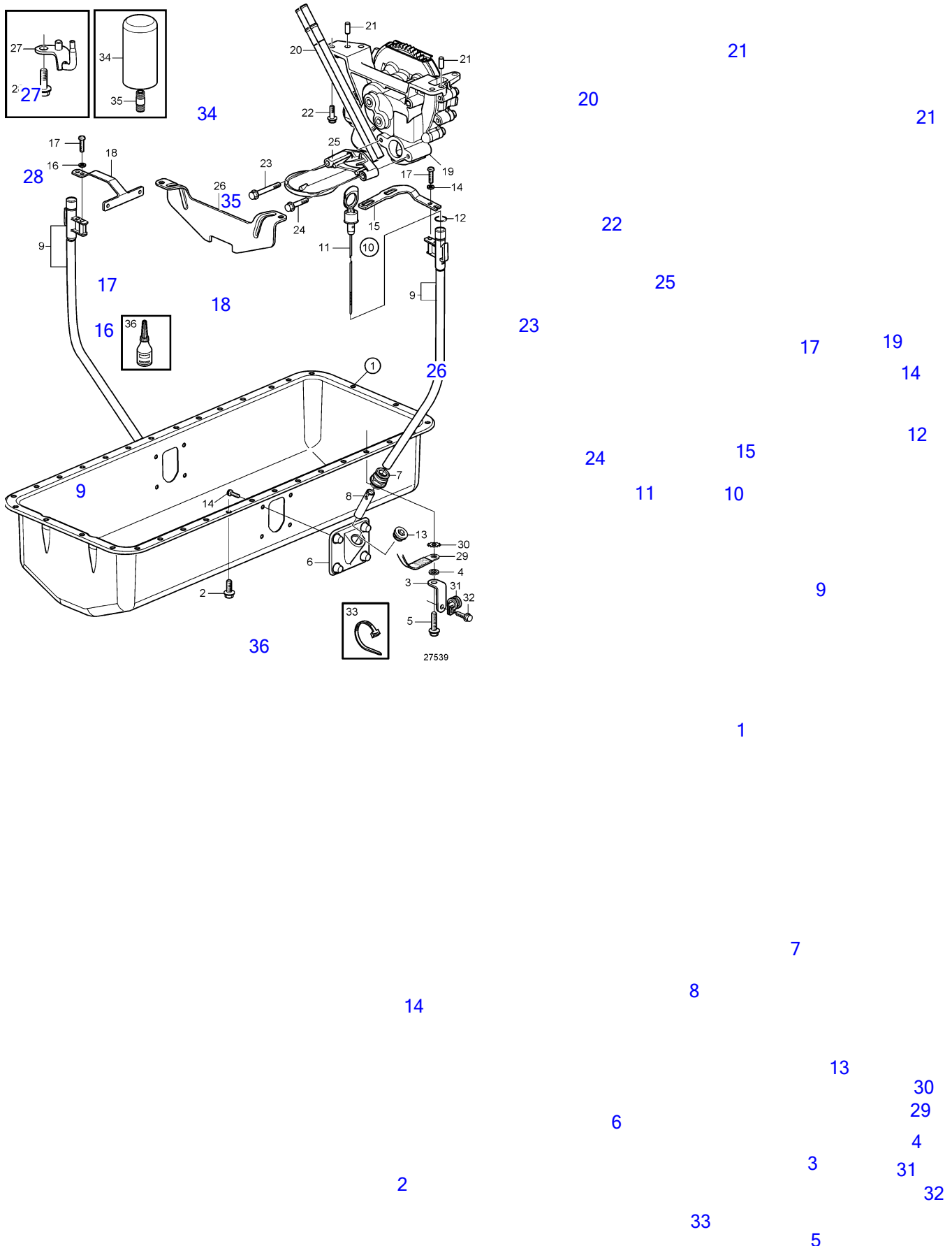


D6-280A-B, D6-280A-C, D6-280A-D, D6-280A-E, D6-280I-B, D6-280I-C, D6-280I-D, D6-280I-E, D6-310A-B, D6-310A-C, D6-310A-D, D6-310D-B, D6-310D-C, D6-310D-D, D6-310I-B, D6-310I-C, D6-310I-D, D6-330A-B, D6-330A-C, D6-330A-D, D6-330D-B, D6-330D-C, D6-330D-D, D6-330I-B, D6-330I-C, D6-330I-D, D6-370A-B, D6-370A-C, D6-370A-D, D6-370D-B, D6-370D-C, D6-370D-D, D6-370I-B, D6-370I-C, D6-370I-D, D6-310A-E, D6-310D-E, D6-310I-E, D6-330A-E, D6-330D-E, D6-330I-E, D6-370A-E, D6-370D-E, D6-370I-E, D6-400A-E, D6-435D-A, D6-435D-D, D6-435D-C, D6-435D-E, D6-435I-A, D6-435I-C, D6-435I-D, D6-435I-E



D6-280A-B, D6-280A-C, D6-280A-D, D6-280A-E, D6-280I-B, D6-280I-C, D6-280I-D, D6-280I-E, D6-310A-B, D6-310A-C, D6-310A-D, D6-310D-B, D6-310D-C, D6-310D-D, D6-310I-B, D6-310I-C, D6-310I-D, D6-330A-B, D6-330A-C, D6-330A-D, D6-330D-B, D6-330D-C, D6-330D-D, D6-330I-B, D6-330I-C, D6-330I-D, D6-370A-B, D6-370A-C, D6-370A-D, D6-370D-B, D6-370D-C, D6-370D-D, D6-370I-B, D6-370I-C, D6-370I-D, D6-310A-E, D6-310D-E, D6-310I-E, D6-330A-E, D6-330D-E, D6-330I-E, D6-370A-E, D6-370D-E, D6-370I-E, D6-400A-E, D6-435D-A, D6-435D-D, D6-435D-C, D6-435D-E, D6-435I-A, D6-435I-C, D6-435I-D, D6-435I-E

| REF | PART NO. | QTY | DESCRIPTION | SEE SEC. | NOTES |
|-----|----------|-----|----------------------|----------|------------------|
| 1 | 3582792 | 1 | Sump | | |
| 2 | 946440 | 33 | Flange screw | | |
| 3 | 3584088 | 1 | Angle bracket | | |
| 4 | 941744 | 1 | Washer | | |
| 5 | 946173 | 1 | Flange screw | | |
| 6 | 3886957 | 2 | Pipe retainer | | |
| 7 | 3886951 | 1 | Nipple | | |
| 8 | 22456382 | 1 | Guide | | |
| 9 | 3593955 | 1 | Pipe | | |
| 10 | 3594848 | 1 | Kit | | |
| 11 | 21650012 | 1 | • Oil dipstick | | |
| 12 | 944124 | 1 | • O-ring | | |
| 13 | 3886953 | 1 | Plug | | |
| 14 | 969420 | 8 | 6 point socket screw | | |
| 15 | 21226128 | 1 | Bracket | | |
| 16 | 960138 | 1 | Washer | | |
| 17 | 975378 | 1 | 6 point socket screw | | |
| 18 | 3584458 | 1 | Bracket | | |
| 19 | 3582667 | 1 | Oil pump | | |
| | | | • | 6479 | |
| 20 | 3583465 | 2 | Drain pipe | | |
| 21 | 950564 | 2 | Pin | | |
| 22 | 946173 | 4 | Flange screw | | |
| 23 | 965181 | 1 | Flange screw | | L=70mm |
| 24 | 973924 | 1 | Flange screw | | L=50mm |
| 25 | 3583127 | 1 | Oil strainer | | |
| 26 | 3595241 | 1 | Baffle plate | | |
| 27 | 3883144 | 6 | Piston cooling jet | | |
| 28 | 3583804 | 6 | Flange screw | | |
| 29 | 968048 | 1 | Chassis ground cable | | Sump-alternator. |
| 30 | 942767 | 1 | Toothed washer | | |
| 31 | 961664 | 1 | Hose clamp | | |
| 32 | 945444 | 1 | Flange screw | | |
| 33 | 948211 | 1 | Cable tie | | |
| 34 | 21632901 | 1 | Oil filter | 6719 | |
| | 3582732 | 1 | Oil filter | 6719 | |
| 35 | 423067 | 1 | Nipple | 6719 | |
| | 3583695 | 1 | Nipple | 6719 | |
| 36 | 1161771 | X | Sealing compound | | |